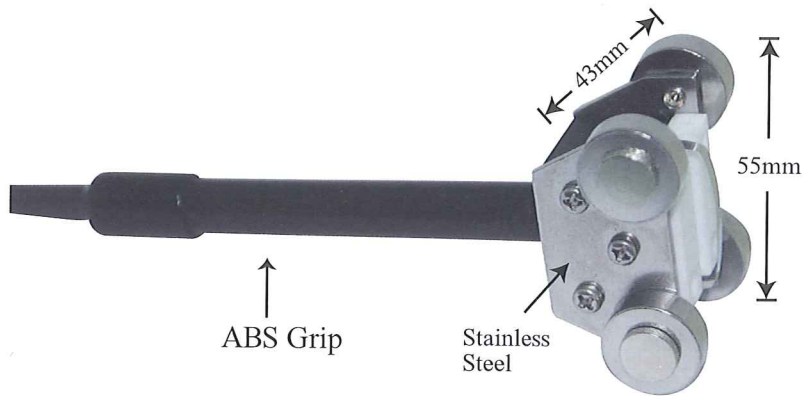


Temperature Probe

Surface Type Probe

Model: SF010A

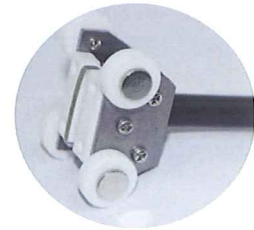
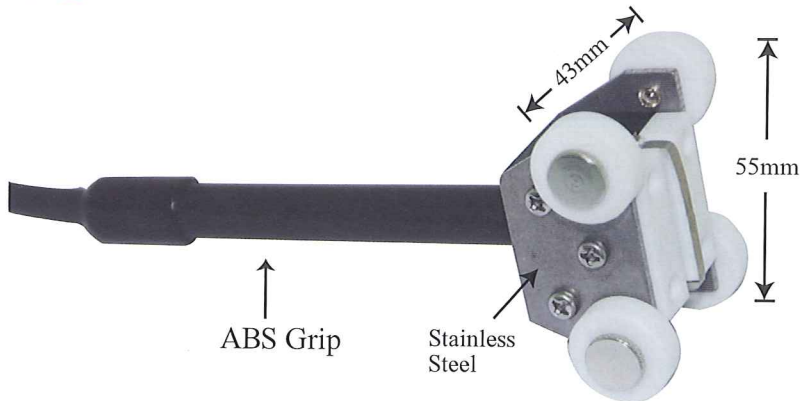


Roller Material: Sus
Max Temperature: 250°C

Specification

Thermocouple Type	Using Temperature	Accuracy	Standard Length Of Coil Wire
K	250°C/482°F	0.75 Class	2 Meters

Model: SF010B

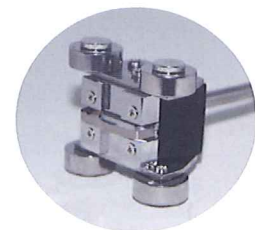
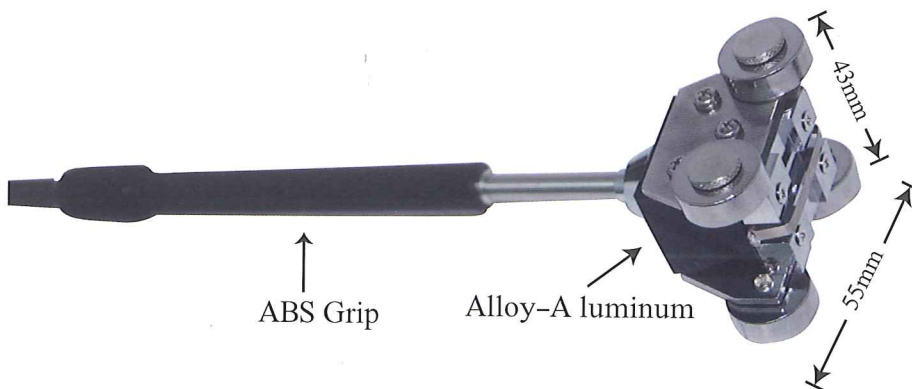


Roller Material: Teflon
Max Temperature: 250°C

Specification

Thermocouple Type	Using Temperature	Accuracy	Standard Length Of Coil Wire
K	250°C/482°F	0.75 Class	2 Meters

Model: SF010C



Roller Material: Sus
Max Temperature: 450°C

Specification

Thermocouple Type	Using Temperature	Accuracy	Standard Length Of Coil Wire
K	450°C	0.75 Class	2 Meters