

## SZP-73

- ▣ current test set
- ▣ passive output 4-20 mA
- ▣ power supply output 24V DC
- ▣ two-coloured LED display
- ▣ RS-485 / Modbus RTU

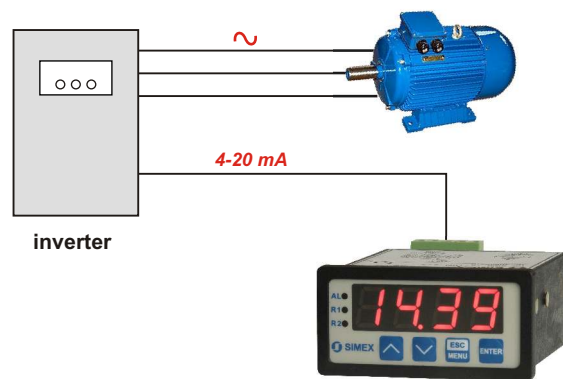
The **SZP-73** current test sets allow for generating user-defined current (in the 4-20 mA range). The display shows the value automatically converted according to set indication range (max. from -999 to 9999 with programmable decimal point). Preview (and adjustment) into the current value of 4.00 do 20.00 mA is possible at any moment. In instrumentation and control systems, these devices can replace any analogue (potentiometer-based) process value sets in a two-wire 4-20 mA current system.

- galvanic separation of the current input,
- changing the current values by "▲" and "▼" keys,
- password protection,
- available with AC and DC power supply versions.

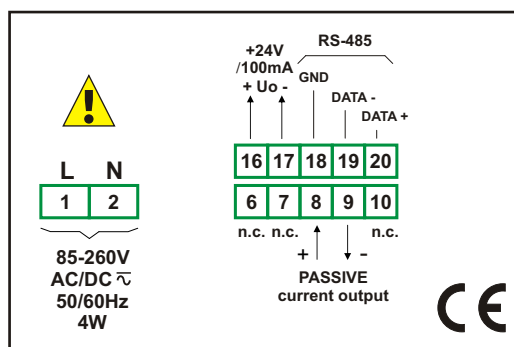


## Typical applications

1. Controlling the motor speed by an inverter.
2. Controlling the opening angle of valves, dampers, etc.



## Exemplary pin assignment



## Technical data

**Power supply:** 19V + 50V DC; 16V + 35VAC or 85 + 260VAC/DC, all separated  
**Power consumption:** for 85 + 260V AC/DC and 16V + 35V AC power supply: max. 4,5 VA; 19V + 50V DC power supply: max. 4,5 W

**Display:** LED, two-coloured (red-green), 4 x 13 mm (IP 40) - standard or LED, red, 5 x 9 mm (IP 65) - option

**Displayed values range:** -999 + 9999 plus decimal point

**Outputs:**

current: 4-20 mA (passive), isolated  
 transducer power supply: 24V DC +5%, -10% / max.100 mA, stabilized, not insulated from RS-485 interface

**Output power supply:** min. 6,5 V

**Accuracy:** 0.1% @25°C

**Stability:** typical 50 ppm / °C

**Communication interface:** RS-485, 8N1 and 8N2, 1200 bit/s + 115200 bit/s, Modbus RTU (not galvanically insulated from transducer power supply)

**Operating temperature:** 0°C + +50°C

**Storage temperature:** -10°C + +70°C

**Protection class (depending on display size):**

5 x 9 mm display: IP 65 (front), available additional IP 65 frame for panel cut-out sealing; IP 20 (case and connection clips)

4 x 13 mm display: IP 40 (front); IP 20 (case and connection clips)

**Case:** board

**Case material:** NORYL - GFN2S E1

**Case dimensions:** 72 x 36 x 97 mm

**Panel cut-out dimensions:** 66,5 x 32,5 mm

**Installation depth:** min. 102 mm

**Board thickness:** max. 5 mm

## Ordering

SZP-73-0015-1-X-XX1

**options:**

00 : no options

01 : IP 65 frame

**power supply:**

3 : 24V AC/DC

4 : 85V - 260V AC/DC