

# SRT-L70

- ▣ temperature meter on TS35 strip
- ▣ input: Pt100, Pt500, Pt1000
- ▣ 3 relay outputs, load capacity 8A
- ▣ RS-485 / Modbus RTU
- ▣ wide range of power supply voltages

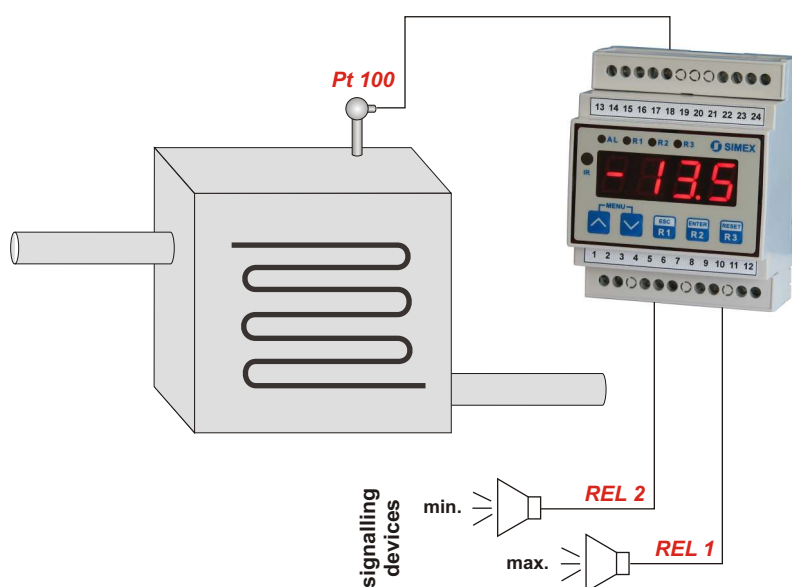


The **SRT-L70** temperature meter has a Pt100/Pt500/Pt1000 input. Measuring range contains temperatures:  $-100^{\circ}\text{C} \div +600^{\circ}\text{C}$  with resolution  $0,1^{\circ}\text{C}$ . The nonlinear sensor characteristic is fully linearized. The additional advantage of this device is automatic recognition of 2, 3 and 4-conductor connection. There is a possibility of access to inner registers via RS-485 interface. The regulator features 3 relay outputs (2 NO and 1 NO-NC). The power supply is realized by build-in pulse feeder, which gives the correct supply in very wide range of voltages  $19\text{V} \div 90\text{V DC}$ ;  $16\text{V} \div 70\text{V AC}$  or  $85 \div 260\text{V AC/DC}$ .

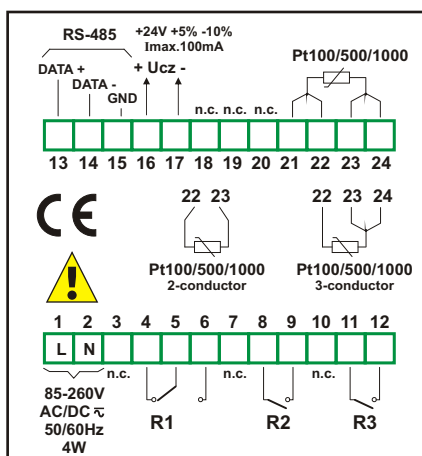
- programmable relays hystereses,
- programmable relays delays,
- adjustable display brightness,
- signal peak value detection,
- automatic recognition of 2, 3 and 4-conductor connection and sensor damage,
- alarm diode and acoustic signal in case of sensor damage or range overflow.

## Typical applications

1. Temperature measuring in an oven with acoustic signalling when alarm states are overflow.



## Exemplary pin assignment



## Technical data

**Power supply:**  $19\text{V} \div 90\text{V DC}$ ;  $16\text{V} \div 70\text{V AC}$  or  $85 \div 260\text{V AC/DC}$ , all separated  
**Power consumption:** for  $85 \div 260\text{V AC/DC}$  and  $16\text{V} \div 70\text{V AC}$  power supply: max. 6,5 VA; for  $19\text{V} \div 90\text{V DC}$  power supply: max. 6,5 W  
**Display:** LED, red, 4 x 13 mm high  
**Input:** temperature Pt100, Pt500, Pt1000, automatic recognition of 2, 3 and 4-conductor connection, not insulated from power supply  
**Measuring range:**  $-100^{\circ}\text{C} \div +600^{\circ}\text{C}$   
**Accuracy:** 0.1% @25°C  
**Stability:** 50 ppm/°C  
**Resolution:** 0,1°C  
**Resistance compensation of connecting conductors:** from 0 to 20 Ω at any conductor  
**Outputs:** 3 relays 8A/250V AC (2 NO, 1 NO-NC)  
**Transducer power supply output:** 24V DC +5%, -10% / max.100 mA, stabilized, not insulated from measuring inputs  
**Communication interface:** RS-485, 8N1 and 8N2, 1200 bit/s ÷ 115200 bit/s, Modbus RTU, (not galvanically insulated)  
**Operating temperature:**  $0^{\circ}\text{C} \div +50^{\circ}\text{C}$   
**Storage temperature:**  $-10^{\circ}\text{C} \div +70^{\circ}\text{C}$   
**Protection class:** IP 20  
**Assembly:** on TS35 strip  
**Case material:** NORYL UL 94 V-0  
**Case dimensions:** 72 x 91 x 59 mm

## Ordering

SRT-L70-1331-1-X-001

**power supply:**  
 4 : 85V - 260V AC/DC  
 7 : 19V - 70V AC/DC