

SRP-94

- ▣ process meter with a large display
- ▣ input 0/4-20 mA, 0/1-5V, 0/2-10V, 0-60 mV, 0-75 mV, 0-100 mV, 0-150 mV
- ▣ 0, 2 or 4 relay outputs (or OC)
- ▣ RS-485 / Modbus RTU
- ▣ option: active current output

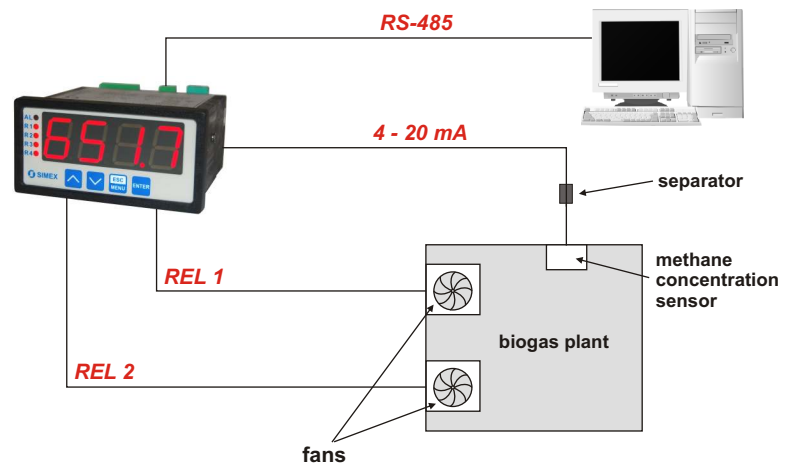


The SRP-94 process meter features analog input with protection safeguarding the measuring resistor against damage. The device operates in the following modes: linear, root, square and user defined (max. 20 points). The 24V DC / 100 mA output is used to power the measuring transducers. The RS-485 enables data transmission in production process monitoring systems. 2 or 4 relay (or OC) outputs make it possible to adjust the level of the measured signal. These outputs can be controlled according to one or two threshold values.

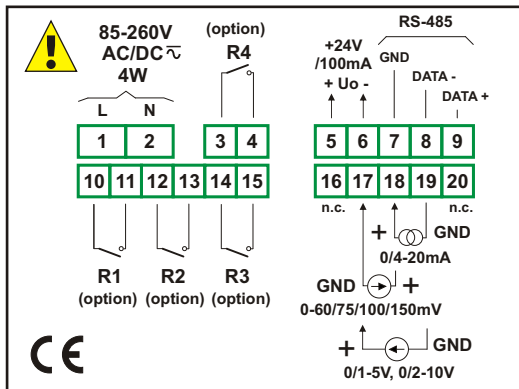
- programmable measuring range,
- programmable hystereses and delays of control outputs,
- password protected,
- programmable indication filtration,
- display brightness adjustable in 8 steps,
- overload-protected current input.

Typical applications

1. Measuring methane concentration in a biogas plant, activating fan 1 when level I is exceeded, activating fan 2 when level II is exceeded.



Exemplary pin assignment



version without 4-20 mA output

Technical data

- Power supply:** 19V + 50V DC; 16V + 35V AC or 85 + 260V AC/DC, all separated
- Power consumption:** for 85 + 260V AC/DC and 16V + 35V AC power supply: max. 4,5 VA; 19V + 50V DC power supply: max. 4,5 W
- Display:** LED, 4 x 20 mm high, red (green - on request)
- Input:** current 0-20 mA or 4-20 mA, programmable, input resistance < 65 Ω (typ. 55 Ω), overload-protected, input current limited to 40 mA; voltage 0-5 V, 1-5V, 0-10V or 2-10V, programmable, input resistance > 50 kΩ
- milivoltage:** 0-60 mV, 0-75 mV, 0-100 mV, 0-150 mV; programmable; input resistance > 100 kΩ
- Accepted prolonged input overload:** 20%
- Displayed values range:** -999 - 9999 + decimal point
- Accuracy:** 0.1% @25°C
- Stability:** 50 ppm/°Cv
- Outputs:** 0, 2 or 4; relays 1A/250V AC (cosφ=1) or the OC 30mA/30VDC/100mW
- Transducer power supply output:** 24V DC +5%, -10% / max. 100 mA, stabilized, not insulated from measuring inputs
- Active current output:** operating range max. 0 - 24 mA, load resistance max. 700 Ω (option available with 2 relays, see ordering)
- Communication interface:** RS-485, 8N1 and 8N2, 1200 bit/s + 115200 bit/s, Modbus RTU, not galvanically insulated from measuring inputs
- Operating temperature:** 0°C + +50°C
- Storage temperature:** -10°C + +70°C
- Protection class:** IP 65 (front), available additional frame IP 65 for panel cut-out sealing; IP 20 (case and connection clips)
- Case:** board
- Case material:** NORYL - GFN2S E1
- Case dimensions:** 96 x 48 x 100 mm
- Panel cut-out dimensions:** 90,5 x 43 mm
- Installation depth:** min. 102 mm
- Board thickness:** max. 5 mm

Ordering

SRP-94-1XXX-1-X-XX1

- options:**
- 00 : no options
- 01 : IP 65 frame
- power supply:**
- 3 : 24V AC/DC
- 4 : 85V - 260V AC/DC

- type of inputs:**
- 8 : 0-20mA, 4-20mA, 0/1-5V, 0/2-10V
- C : 0-60/75/100/150mV
- number of outputs:**
- 0
- 2
- 3
- 4

- type of outputs:**
- 0 : no output
- 1 : REL (for 2 and 4 outputs)
- 2 : OC (for 2 and 4 outputs)
- 3 : 2 x REL + current output
- 4 : 2 x OC + current output