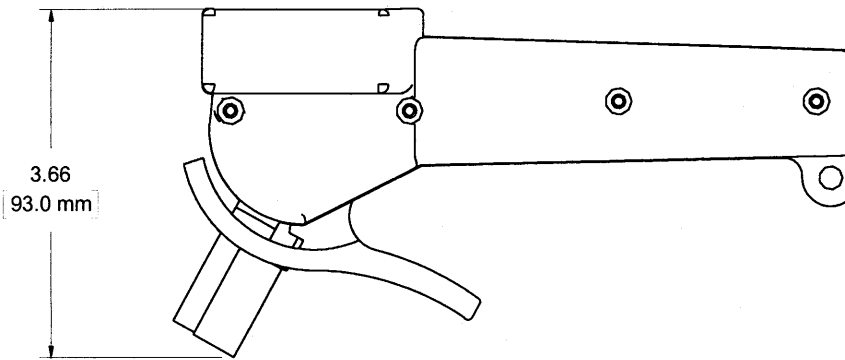
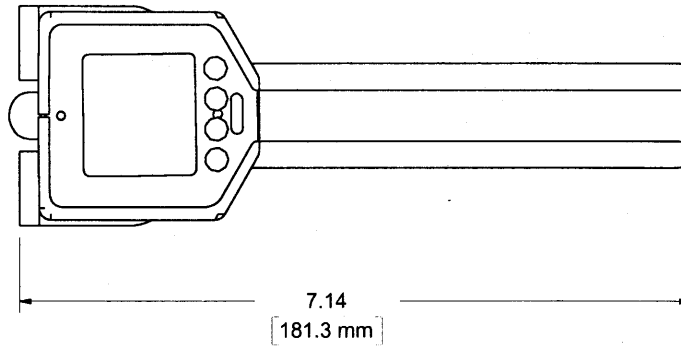
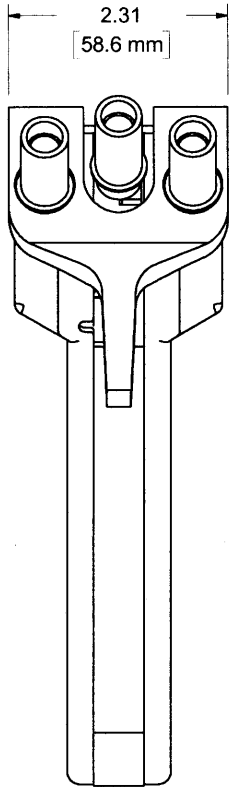



Revisions			
SYM	Description	Date	Approval



Material 6061		Finish POLISH		Heat Treat		
DIMENSIONAL TOLERANCES UNLESS OTHERWISE SPECIFIED		TITLE		Weight		
FRAC.	DEC.	ANG.	TX SERIES OF DIGITAL TENSION METERS SHOWN WITH 1" LONG CYLINDRICAL ROLLERS		 733 South Bowen Street Longmont, CO 80501	
± 1/64	± .005	± 30'				
Scale 1:2	No. Req'd	Drawn SHS	Date 10-9-06	Size	Drawing Number	Issue
Next Assy		Checked	Date			1
		Approved	Date			